



The Ultimate openGear Applications Guide

2024

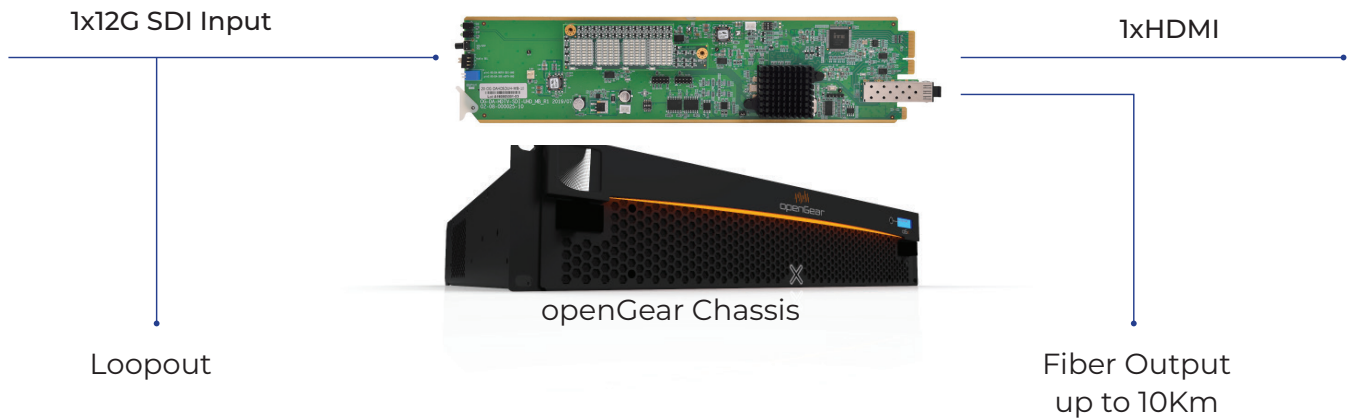


Application

12G SDI UHD to HDMI Conversion

12G SDI Source to UHD HDMI 2.0 Destination

OG-DA-SDI-HDTV-UHD



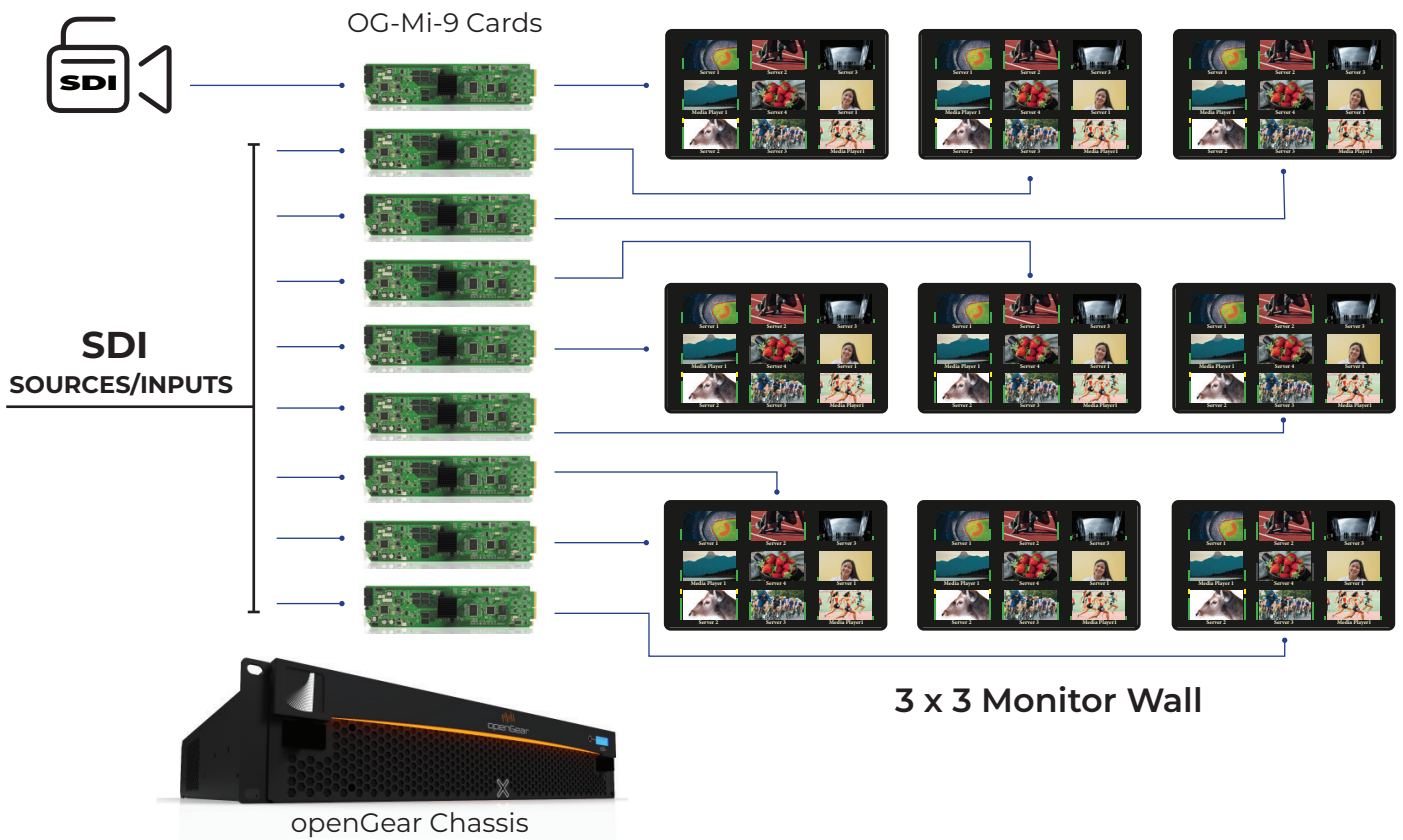
SUPPORTED SIGNAL TYPE/FORMATS

12G-SDI	8 bit/10bit output (SW 1, on = 10bit), 709/2020 output follows input	2048x1080	YCbCr 4:2:2 60p/59.94p/50p
3840x2160	CbCr 4:2:2 60p/59.94p/50p		YCbCr 4:4:4 30P/29.97p, 25p, 24p/23.98p
	YCbCr 4:4:4 30P/29.97p, 25p, 24p/23.98p		RGB 4:4:4 30p/29.97 p, 25p, 24p/23.98p
4096x2160	YCbCr 4:2:2 60p/59.94p/50p	1280x720	YCbCr 4:4:4 30p/29.97p
	YCbCr 4:4:4 30P/29.97p, 25p, 24p/23.98p		RGB 4:4:4 30p/29.97p
6G-SDI	8 bit/10bit output (SW 1, on = 10bit), 709/2020 output follows input	3G-SDI Level B	8 bit/10bit output (SW 1, on = 10bit), 709/2020 output follows input
3840-2160	YCbCr 4:2:2 60p/59.94p/50p	1920x1080	YCbCr 4:2:2 60p/59.94p/50p
3G-SDI Level A	YCbCr 4:4:4 30P/29.97p, 25p, 24p/23.98p, 60i/59.94i/50i	1.5G-SDI	8 bit/10bit output (SW 1, on = 10bit), 709/2020 output follows input
1920x1080	RGB 4:4:4 30p/29.97 p, 25p, 24p/23.98p. 60i/59.94i/50i	1920X1080	YCBCR 4:2:2 30p/29.97p/25p/24p/23.98p/60i/59.94i
	YCbCr 4:4:4 30P/29.97p, 25p, 24p/23.98p, 60i/59.94i/50i	1280x720	YCbCr 4:2:2 60p/59.94p/50p
	RGB 4:4:4 30p/29.97 p, 25p, 24p/23.98p, 60i/59.94i/50i		

Application

OB VAN Live Sports Broadcast Application

9x1, 9x2 SDI Video Multiviewer with HDMI and SDI Output Feeding Multiple Displays



Features:

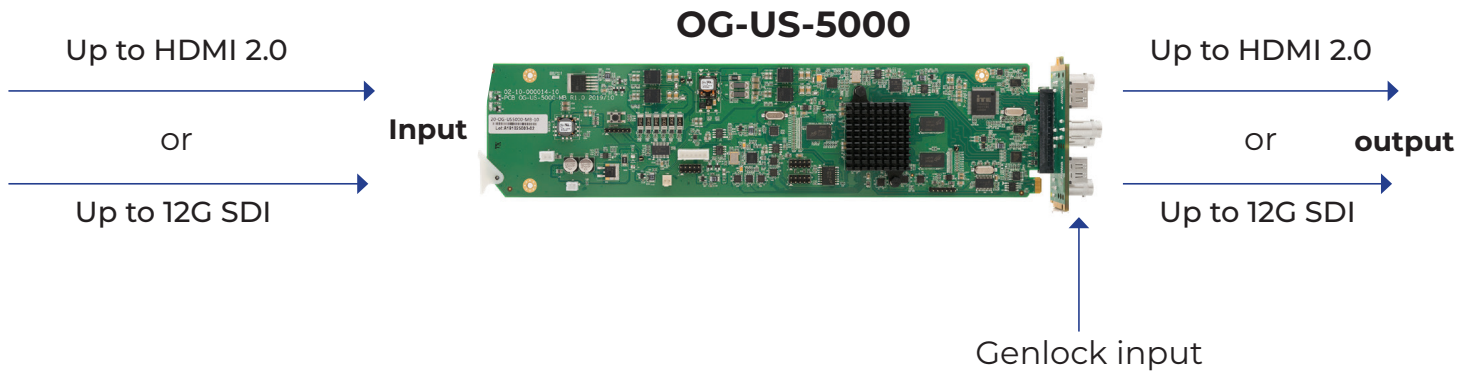
- Fit up to 10 boards in an openGear frame
- Low latency - single frame processing delay
- 9 auto-detect 3G (Level A/B)/HD/SD-SDI inputs
- Windows can be sized and moved freely
- Decode up to 16 embedded audio per SDI input
- Ethernet for configuration, dynamic labels & Tallies (TSI)
- Standalone labels, customizable logo
- 9 GPIs for tallies, count up/down trigger or preset recall
- Built-in analog/digital clocks can sync with LTC/NTP
- Border can be turned on or off
- Two sets of safe area makers
- Visual alarm tags for video/audio alarm
- HDMI and SDI outputs have embedded stereo audio pair
- 5 year limited warranty
- Low power consumption - 15W



▼ CONTACT
 Phone: +1 503 968 3000 / Web: www.apantac.com

Application

UHD Bi-Directional Scan Converter



SUPPORTED SIGNAL TYPE/FORMATS

HDMI

4K 24Hz
4K 23.98Hz
2560x1080 60Hz
1080P 60Hz
1080P 59.94H7
1080P 50Hz
1080P 30H7
1080P 29.97Hz
1080P 25Hz
1080P 24Hz
1080P 23.98Hz

1920x1200 59.94Hz
1920x1200 50H7
1920x1200 49.93Hz
720P 60Hz
720P 59.94H7
720P 50Hz
640x480 60Hz
640x489 59.94Hz
480P 60Hz
480P 59.94Hz

12G-SDI

3840x2160p 60Hz
3840x2160p 59.94 H7
3840x2160p 50Hz
3840x2160p 30Hz

6G-SDI

3840x2160p 30Hz
3840x2160p 29.97Hz
3840x2160p 25Hz
3840x2160p 24Hz
3840x2160 23.98Hz

3G-SDI

Level A and Level B

1920x1080p 60Hz
1920x1080p 59.94Hz
1920x1080p 50Hz
1.5G SDI
1920x1080p 30Hz
1920x1080p 29.97Hz
1920x1080p 25Hz
1920x1080p 24Hz
1920x1080p 23.98Hz



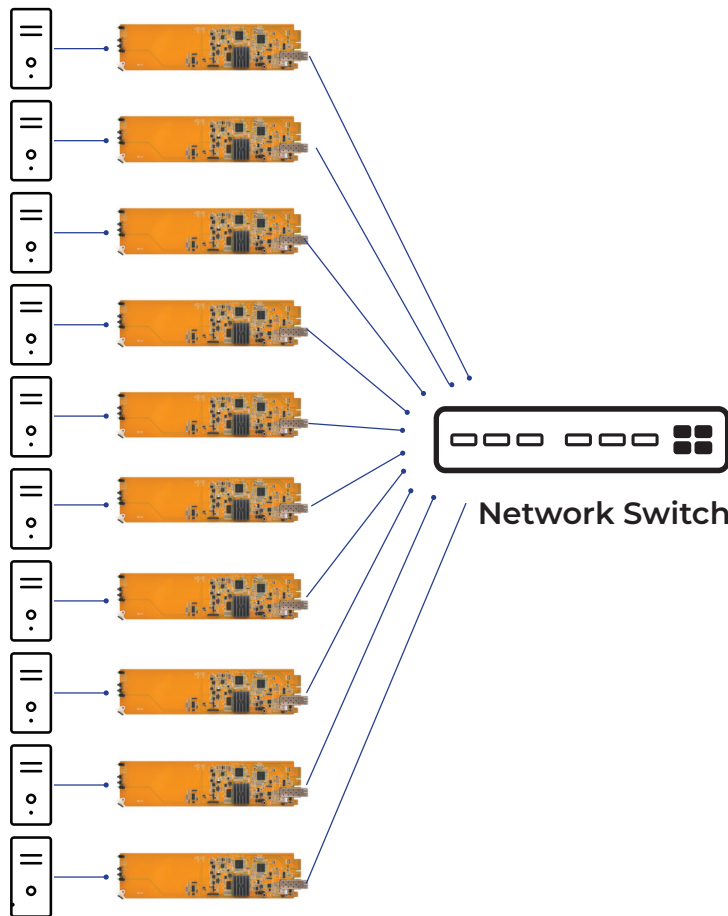
▼ CONTACT
Phone: +1 503 968 3000 / Web: www.apantac.com

Application

IP Control & Monitoring

Extend and switch video signals, keyboard and mouse functions, as well as USB 2.0 and analog audio signals over IP

PC OG-KVM-IP-Tx



KVM-IP-Rx-P



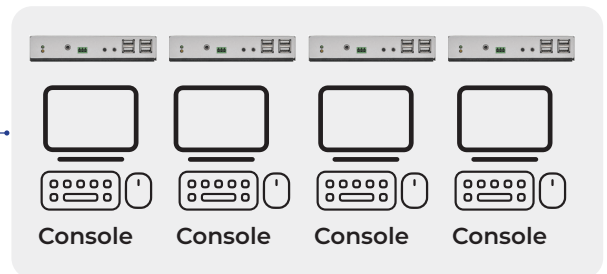
UE-8-K-II Multiviewer



8 Input 4K/UHD HDMI Multiviewers with KVM and advanced on-screen display (model: UE-8-K-II)



KVM-IP-RX-P



When combined with the Apantac KVM over IP receiver and an off-the-shelf Gigabit Ethernet switch this KVM over IP solution functions as an expandable KVM switch to allow multiple users to have access to multiple computers.



▼ CONTACT
Phone: +1 503 968 3000 / Web: www.apantac.com

Application

Enterprise Event Center Application

